

UP0253A-() () P SERIES

25 Watt AC/DC Adapter

- ◆ Universal Input 90 to 264 VAC
- ◆ Conductive EMI Meets FCC/CISPR 22 Class B
- ◆ MTBF 200Khrs



SPECIFICATIONS

All specifications are typical at nominal line, full load and 25°C unless otherwise noted.

INPUT SPECIFICATIONS

Input Voltage Range 90-264VAC
Input Frequency 47-63 Hz
Inrush Current 30A max.(Cold Start)

GENERAL SPECIFICATIONS

Hold-up Time 16mS typ.
Efficiency 70% typ.
Leakage Current 0.5mA max.
Short Circuit Protection Continuous
Overvoltage Protection 5VDC output only

ENVIRONMENTAL SPECIFICATIONS

Operating Temperature Range 0°C to 50°C
Derating 40°C to 50°C 2%/°C
Temperature Coefficient ± 0.02%/°C
Storage Temperature Range -40°C to +85°C
Humidity, Non-Condensing 0 to 95% RH
Cooling Free- Air Convection
EMI Filter(on Board):
Conducted Meets FCC/CISPR 22 Class B Specification

OUTPUT SPECIFICATIONS

Model Number	Output Voltage (Volts)	Output Current (Amps)			Peak ¹ (Amps)	Ripple ² , P-P (mV)	Total Regulation ³
		Min.	Rated	Max.			
UP0253A-01P	+5(V1)	0	2	3	4	50	± 4%
	+12(V2)	0	1	1.5	2	120	± 5%
	-12(V3)	0	0.3	0.5	1	120	± 5%
UP0253A-02P	+5(V1)	0	2	3	4	50	± 4%
	+12(V2)	0	1	1.5	2	120	± 5%
	- 5(V3)	0	0.3	0.5	1	50	± 5%
UP0253A-03P	+5(V1)	0	2	3	4	50	± 4%
	+24(V2)	0	0.5	1.0	1	240	± 5%
	+12(V3)	0	0.3	0.5	1	120	± 5%

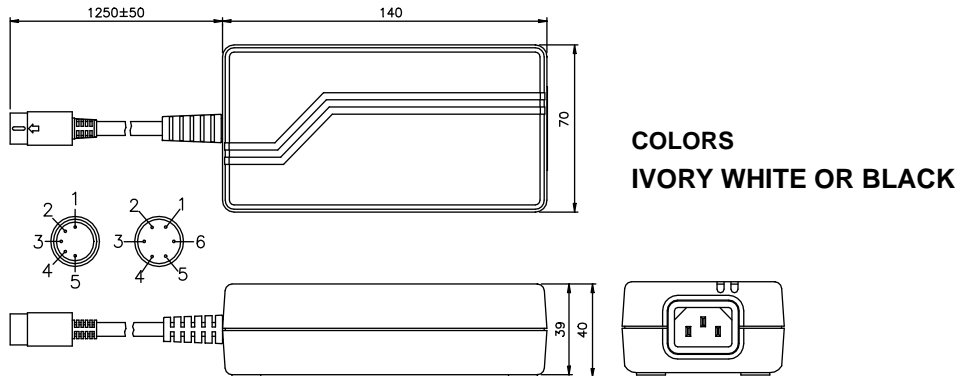
NOTES:

1. Peak output current (total output power must less than 30w) lasting less than one minute with duty factor less than 5%. During peak loading, output voltage may exceed total regulation limits
2. Add a 0.1uF ceramic capacitor and a 10uF E.L. capacitor to the output cable. Peak to peak and RMS metering equipment shall have a 20 MHz response with probes and cables maintaining frequency response from 200 Hz to 100MHz bandwidth. Output ripple and spikes are measured directly at the output terminals of the power supply without the use of the probe ground clip.
3. Total regulation is defined as the static output regulation at 25°C, including initial tolerance, line voltage within stated limits. And load currents within stated limits, but when V1 is maximum load and V2 is ≤ 1/10 maximum load, the total regulation will be ± 10%.V1 must have a minimum of 10% maximum load, for V3 to supply maximum load.

PHYSICAL SPECIFICATIONS

Weight: 300g

Case Material: ABS Plastic UL94V-0 Flammability Rated



DC plug & pin assignment (CUSTOM DESIGN IS AVAILABLE)

Output No.	UP0253A-XXP	Connectors	
PIN1	GND	DIN PLUG (5P 180°)	DIN PLUG (6P 240°)
PIN2	V1		
PIN3	GND		
PIN4	V2		
PIN5	V3		
PIN6	V1		

NOTES:

1. All dimensions in mm.
2. Tolerance(except cable length): ± 1.