

UP0651A-()()P SERIES

65 Watt AC/DC Adapter

- ◆ Universal Input 90 to 264 VAC
- ◆ Conductive EMI Meets FCC/CISPR 22 Class B
- ◆ Overvoltage Protection
- ◆ Continuous Short Circuit Protection



SPECIFICATIONS

All specifications are typical at nominal line, full load and 25°C unless otherwise noted.

INPUT SPECIFICATIONS

Input Voltage Range 90-264VAC
Input Frequency 47-63 Hz
Inrush Current No component damage
Line Regulation¹ ± 1.0%

GENERAL SPECIFICATIONS

Hold-up Time² 10mS typ.
Efficiency³ 80% typ.
Leakage Current 0.5mA max.
Short Circuit Protection Continuous
Overvoltage Protection(Recycle) All Models
Overload Protection 120-200% of rated value

ENVIRONMENTAL SPECIFICATIONS

Operating Temperature Range 0°C to 50°C
Derating 40°C to 50°C 2%/°C
Temperature Coefficient ± 0.02%/°C
Storage Temperature Range -40°C to +85°C
Humidity, Non-Condensing 0 to 95% RH
Cooling Free- Air Convection
EMI Filter(on Board):
Conducted Meets FCC/CISPR 22 Class B Specification

NOTE

1. Measured from 90 to 264VAC.
2. Measured at Vin=115VAC, full load.
3. Measured at Vin=115/230VAC, full load.

OUTPUT SPECIFICATIONS

Model Number	Output Voltage(Volts)	Output Current (Amps)			Total Output Power(Watts)		Ripple ¹ P-P (mV)	Total Regulation ²
		Min.	Rated	Max.	Rated	Max.		
UP0651A-12P	12	0.0	5.17	5.42	62	65	120	± 6%
UP0651A-15P	15	0.0	5.14	4.34	62	65	150	± 5%
UP0651A-18P	18	0.0	3.50	3.62	63	65	180	± 4%
UP0651A-19P	19	0.0	3.32	3.43	63	65	190	± 4%
UP0651A-24P	24	0.0	2.63	2.71	63	65	240	± 4%

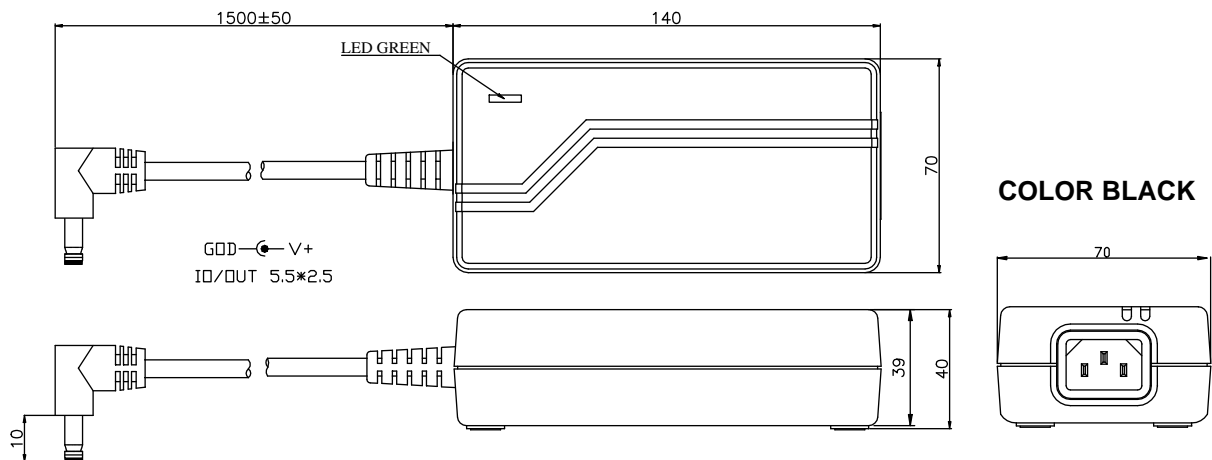
NOTES

7. Add a 0.1uF ceramic capacitor and a 10uF E.L. capacitor to the output cable. Peak to peak and RMS metering equipment shall have a 20 MHz response with probes and cables maintaining frequency response from 200 Hz to 100MHz bandwidth. Output ripple and spikes are measured directly at the output terminals of the power supply without the use of the probe ground clip.
8. Total regulation is measured at 115VAC or 230VAC input voltage and UMEC standard output cable.
9. Replace input line fuse with same type rating. Recommended 3A/250 VAC slow blow fuse.

PHYSICAL SPECIFICATIONS

Weight : 410g.

Case Material : PC+ABS(C2950) Plastic UL94V-0 Flammability Rated.



DC plug & pin assignment (CUSTOM DESIGN IS AVAILABLE)

IN 2.5/OUT5.5 DC PLUG FEMALE

NOTES:

1. All dimensions in mm.
2. Tolerance(except cable length): ± 1